

# Rittal – Basic Therm cooling units



**For Cooling unit Service & AMC call:**  
**Toll free number: 18004252335**  
Mon to Fri : 8 am to 5.30 pm, Sat : 8 am to 1.45pm  
**Email: [service@rittal-india.com](mailto:service@rittal-india.com)**



**Economic Alternative,  
Low energy consumption**

**RITTAL  
BASIC  
THERM**

## HIGHLIGHTS

- Useful cooling output up to 3000 W
- Tropical design
- Optimum air routing inside the enclosure
- Functional design with practical electronic control
- Models dedicatedly designed for machine tool applications
- Cooling output tested with DIN 3168 / EN815 standard
- Internal circuit IP54 protection category EN60529

# Rittal BasicTherm wall-mounted cooling units

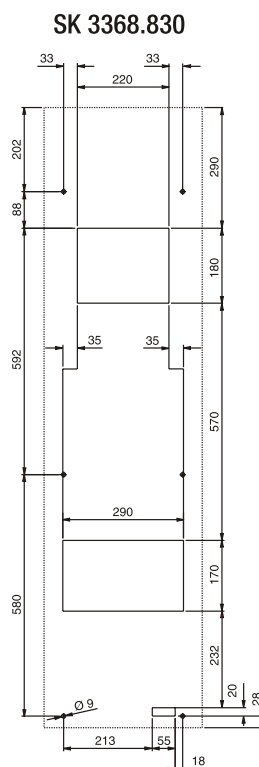
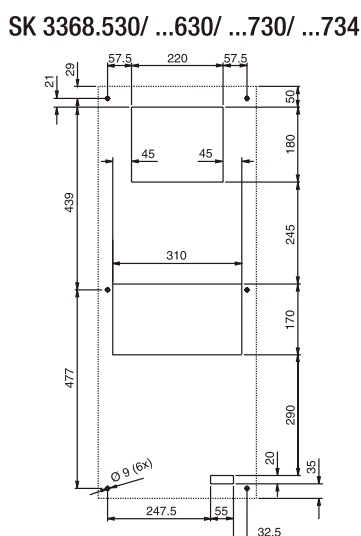
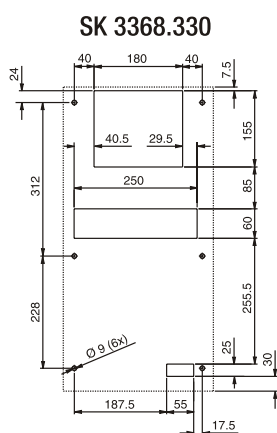
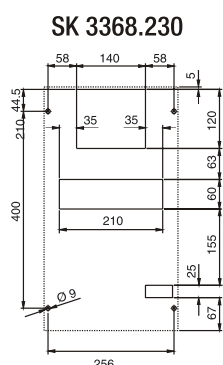
The Rittal Basic Therm wall-mounted cooling unit scores with especially functional details:

- External mounting on any suitable vertical enclosure surface.
- Agrill protects the intake of the external air circuit.

- Optional 230 V, 50/60 Hz Units can also be supplied.
- The warmed outside air is routed upwards for an optimum cooling flow.
- The removable grille and finger protection at the external air fan provide for convenient and safe servicing.

Model No. SK		3368.230	3368.330	3368.530	3368.630	3368.730	3368.830
Rated operating voltage		230 V, 50 Hz	230 V, 50 Hz	230 V, 50 Hz	230 V, 50 Hz	230 V, 50 Hz	400 V, 50 Hz
Dimensions in mm	W x H x D	280 x 500 x 181.5	310 x 620 x 225	400 x 1000 x 257	400 x 1000 x 257	400 x 1000 x 257	400 x 1500 x 256
Useful cooling output DIN 3168/EN 815	L35 L35	300 W	500 W	1000 W	1500 W	2000 W	3000 W
	L35 L50	225 W	414 W	775 W	1155 W	1452 W	2280 W
Rated current		1.3 A/1.4 A	2.9 A/2.9 A	3.3 A/3.8 A	4.55 A/4.9 A	6.5 A/6.7 A	2 A/2 A
Start-up current		7.8 A/8.4 A	14.8 A/15.8 A	17.5 A/19.6 A	25 A/26 A	36 A/37 A	10.5 A/10.5 A
Pre-fuse		4 A/4 A	6 A/6 A	6 A/6 A	8 A/8 A	10 A/10 A	4 A/4 A
Power consumption	L35 L35	193 W/ 225 W	300 W/ 351 W	561 W/ 656 W	836 W/ 978 W	1051 W/ 1229 W	1650 W/ 1931 W
	L35 L50	221 W/ 258 W	345 W/ 402 W	645 W/ 752 W	961 W/ 1120 W	1208 W/ 1408 W	1898 W/ 2211 W
Refrigerant		R134 a, 200 g	R134 a, 350 g	R134 a, 600 g	R134 a, 600 g	R134 a, 600 g	R134 a, 700 g
Permissible operating pressure		27 bar	27 bar	27 bar	27 bar	27 bar	27 bar
Temperature Range		20°C to 50°C	20°C to 50°C	20°C to 50°C	20°C to 50°C	20°C to 50°C	20°C to 50°C
Protection category EN 60529	Internal circuit	IP 54	IP 54	IP 54	IP 54	IP 54	IP 54
Duty cycle		100 %	100 %	100 %	100 %	100 %	100 %
Weight		18 kg	28 kg	45 kg	48 kg	49 kg	65 kg
Colour		RAL 7035	RAL 7035	RAL 7035	RAL 7035	RAL 7035	RAL 7035

**Supply Includes:** Wired ready for connection, incl. assembly parts and mounting instructions.



**Available from June 2009**  
SK 3368330, SK 3368860

Rittal India Pvt. Ltd. No. 23 & 24 KIADB Industrial Area, Veerapura, Doddaballapur 561203, Bangalore District, Tel : 91-80-22890700, Fax : 91-80- 27623343, Email:info@rittal-india.com, Internet:www.rittal-india.com, Ahmedabad:(079)26853202, Bangalore:(080)23519793, Baroda:(0265)2354750, Bhopal:09302127425, Chandigarh :(0172)2728372, Chennai:(044)22384869, Cochin: 09388218755, Coimbatore: 09367710744, Delhi: (0129)2273895, Hubli:09343401055, Hyderabad:(08418)261139, Jaipur:09352436005, Kolkata:09339144772, Mumbai:(022)25771731, Nashik: 09325101830, Nagpur: 09325101296, Pune:(020) 24260416